

Pressure

Sensit P6420-57 Abrasive Material Pressure Transmitter

Product Data Sheet DS2804

The Sensit P6420-57 is a pressure transducer having a two wire, 4-20mA output. It is available in standard ranges from 5 bar to 100 bar, or may be scaled to customer requirements.

Description

The P6420-57 pressure transducer is based on a four active arm strain gauge bridge fused to a high purity ceramic diaphragm, offering high natural output coupled with superb chemical and corrosion resistance. It has been designed primarily for use with concrete slurry and other abrasive fluids and has a cavity free, flush sensing diaphragm covered by a flexible polypropylene shield.

It offers a two wire, 4-20mA output proportional to fluid pressure with other outputs available as options. The sensing element and its associated electronics are housed in a rugged stainless steel case.

Features

- Superb chemical and corrosion resistance
- 4-20mA, two wire operation (option 5-21mA)
- Unrivalled abrasion resistance
- Wide temperature range
- High electrical isolation
- Rugged construction
- Excellent long term stability

Applications

- Concrete pumping & other abrasive applications
- Gypsum
- Brick dust
- Clay

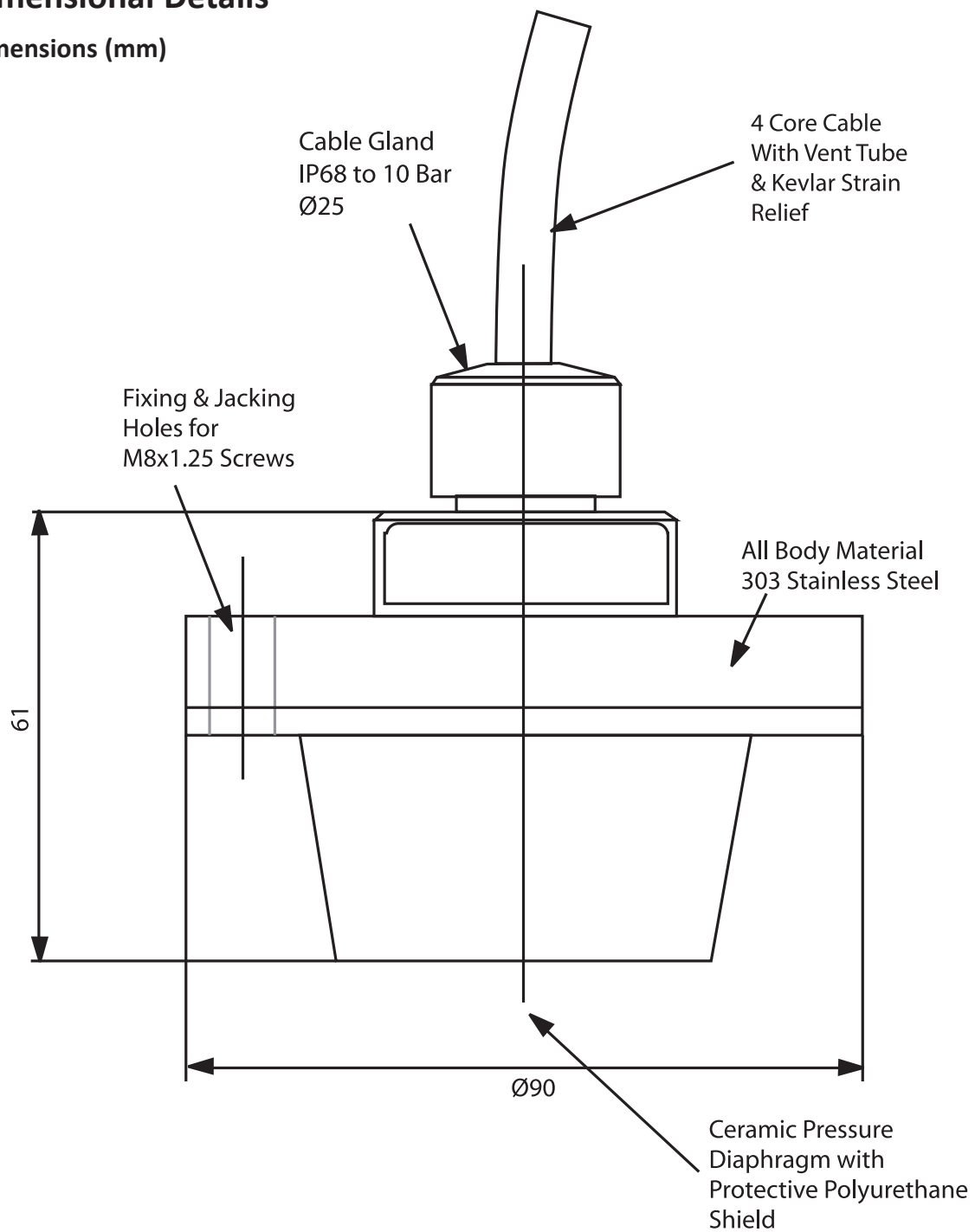
Specification

Pressure Range	5, 10, 20, 50 & 100 bar SG and G
Excitation	10-32Vdc unregulated
Output	Span: 16mA \pm 1% of span at pressure Zero: 4mA \pm 1% of span at zero pressure
Non Linearity, Hysteresis & Repeatability (NLH)	< \pm 1% of span (best fit straight line)
Operating Temp Range	-25°C to +100°C
Safe Over-range	1.5 times rated range
Burst Pressure	3 times rated range minimum
Insulation Resistance	>500M Ω at 500Vdc, over the operable temperature range
Loading Driving	1k Ω @ 28Vdc supply
Environmental Protection	IP68
Electrical Connections	Cable



Dimensional Details

Dimensions (mm)



Every effort has been made during the preparation of this document to ensure the accuracy of statements and specifications. However, we do not accept liability for damage, injury, loss or expense caused by errors or omissions made. We reserve the right to withdraw or amend products or documentation without notice.



0043

2 Downgate Drive, Sheffield, South Yorkshire, S4 8BT



FM22358

05JOC5W0715